

# BUTTERFLY VALVE



## UNMATCHED QUALITY

### APPLICATIONS

- Water treatment plants
- Water distribution systems
- Sewage plants
- Power stations
- Chemical industries
- Steel mills
- Sugar factories / Breweries
- Textile industries
- Food processing industries
- Cement industries
- Paper mill



### QUALITY FEATURES

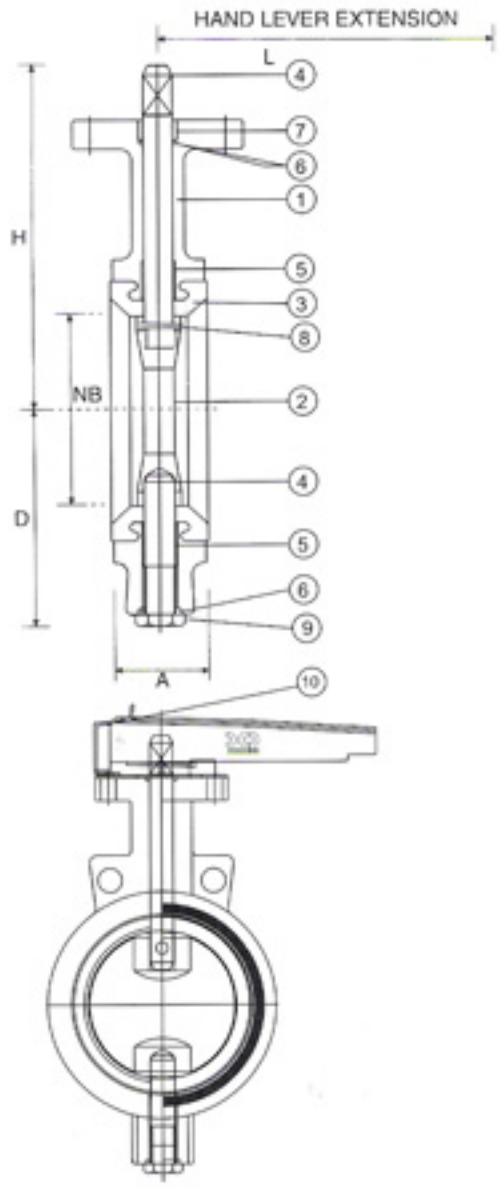
- Excellent flow control in quarter turn operation.
- Compact space saving design.
- Low weight, low maintenance, long service life.
- Both shafts mounted in bearing supports for easy operating torques.
- Replaceable / Bonded seat options.
- Suitable for mounting between all standard flanges.
- Gasket packing not required to install between flanges.

## H.P. Valves Mfg. Co.

Ahmedabad, India.



# BUTTERFLY VALVE



### MATERIALS OF CONSTRUCTION

PART	DESCRIPTION	STD MODE OF CONSTRUCTION	OPTIONS
1	BODY	Cast Iron, GG -25/ IS - 210FG - 260/ BS - 1452 Gr. 260/	SG Iron GGG 40 Cast Steel (WCB) Stainless Steel CF8/CF8M
2	DISC	SG Iron, GGG - 40/ SG - 1865 SG400/12/ BS - 2789 Gr.420/12	Cast Steel (WCB) Stainless Steel CF8/CF8M Aluminum Bronze IS 305 Gr2
3	SEAT	Black Nitrile	EPDM, Neoprene, Viton, Silicon Hypalon or as per customer's Requirements.
4	SHAFT	AISI 410	AISI 304 / AISI 316
5	BEARING	Self lubricating phosphorous Bronze	PTFE
6	'O' RINGS	Nitrile	EPDM, Neoprene
7	BUSH	Polyacetal	PTFE
8	TAPER PIN	AISI 410	AISI 304 / AISI 316
9	PLUG	Carbon Steel	-
10	HAND LEVER	SG Iron / C.I.	Cast steel, S.S.

### DIMENSION CHART

Size (DN)					
NB	A	D	H	L	WT / ( Kg )
40	33	66	106	250	3.1
50	43	70	113	250	3.7
65	46	76	121	250	4.5
80	46	89	129	250	4.8
100	52	96	147	250	6.0
125	56	109	158	250	7.9
150	56	133	176	315	11.0
200	60	158	200	315	15.5
250	68	194	245	500	27.0
300	78	219	270		36.0
350	78	260	321		
400	100	290	348		
450	108	320	373		
500	127	360	410		
600	149	420	470		

### TECHNICAL DATA

PRESSURE RATING	PN 10 & PN 16
PRESSURE TESTING	a) Body : 1.5 x PN b) Seat : 1.1 x PN
TEMPERATURE	(-) 40° C to 200° C
FACE TO FACE DIMENSION	ISO - 5752 / IS - 13095 / BS - 5155
TO SUIT FLANGES DRILLED AS PER	IS, ANSI, BS, DIN Standards
OPERATION	Bi-directional
PAINTING	Epoxy coated

### ORDERING DATA

- ☞ Size of valve.
- ☞ M.O.C. for body, disc & seat.
- ☞ If any specific change to standard material of other parts.
- ☞ Operation manual / Gearbox / Actuator (give details of Actuator).
- ☞ Details of flow medium i.e., name, temperature, pressure.

Mfg. by  
**H.P. Valves Mfg. Co.**

7/A, Bansidhar Estate, Bardolpura, O/s Dariapur Gate, Ahmedabad- 16, INDIA

Ph : 079 - 2216 66 80. Fax : 079 - 22120945

Web Site : [www.hpvalve.com](http://www.hpvalve.com) Email : [hpvalves@icenet.net](mailto:hpvalves@icenet.net)